

ArrowMAX 1.0

UV-LED Water Purification System

USER'S MANUAL



SUMMARY

This document is the product manual for the ArrowMAX 1.0, and includes safety, product specifications, installation, and maintenance information.

Table of Contents

Product Overview	3
Safety Information and Warnings	4
Warnings and Safety Precautions	4
Product Information	5
Specifications	5
Overview of ArrowMAX 1.0 Water Purifier	5
Installation Guide	6
Installation Instructions	7
Mounting the Unit	8
Conditioning and Powering the Unit	8
Indicator Light	8
Maintenance	9
Regular Maintenance	9
Winterizing	9
Trouble Shooting	9
Standard Terms and Conditions	10
Warranty	10
Appendix A: Faucet Installation Instructions	11

PRODUCT OVERVIEW

Congratulations on your purchase of the ArrowMAX 1.0 UV-LED water purification system. This is our most compact and economical system that is ideally suited for single faucet applications, ice-makers, and water fountain upgrades. It fits easily under your sink in your home, cottage, RV and boat, and provides safe drinking water that is convenient, low maintenance and environmentally friendly.

Acuva's water disinfection systems take water purification to the next level of efficiency and convenience by utilizing two well-established and proven technologies: UVC disinfection and UVC-LEDs.

Using patented Acuva™ *Intensebeam* technology, ArrowMAX 1.0 inactivates harmful microorganisms* to the UV dose recommended by the NSF (National Sanitation Foundation) standard.

The ArrowMAX 1.0 water purification system is powered by 12V DC – either directly or via 110V to 240V AC (using a power adapter). The ArrowMAX 1.0 operates on-demand, meaning its internal flow sensor will activate UV-LEDs only when water is flowing through the system, improving energy efficiency and extending the life-time of the system.

Our mission is to provide universal access to safe drinking water and we are proud that you have chosen our solution. Enjoy the peace of mind that your ArrowMAX 1.0 will deliver and please contact us if you have any questions.



The ArrowMAX 1.0 is certified by IAPMO R&T against NSF/ANSI 55 Class "B" for the supplemental bacterial treatment of disinfected public drinking water or other drinking water that has been tested and deemed acceptable for human consumption by the state or local health agency having jurisdiction. The system is only designed to reduce normally occurring non-pathogenic nuisance microorganisms. Class B systems are not intended for treatment of contaminated water. It is also certified by IAPMO R&T to NSF/ANSI 372.

EPA Est. No: 98339-CAN-1

IAPMO Certification No:

W-10944 (Ultraviolet Microbiological Water Treatment System)

W-10946 (Lead Free Water Filtration Product)

* The device disinfects >99.999% of *E.coli* at 3.0 L/min validated by SGS-CSTC Standards Technical Services (Shanghai) Co., Ltd.

SAFETY INFORMATION AND WARNINGS

This section contains important information regarding the safe installation and operation of the ArrowMAX 1.0 (the “device”). **PLEASE READ CAREFULLY.**

Installation or operation of the device in a manner contrary to this manual may result in property damage or personal injury.

Acuva recommends that the device be installed by a qualified technician who complies with applicable state and local regulations.

The system and installation shall comply with applicable state and local regulations.

Warnings and Safety Precautions

DANGER

Do not store the device in freezing conditions.

Do not allow water to freeze in the device.

Do not use the device if damaged or dropped.

Do not submerge the device under water.

Do not connect to AC power without an AC to DC power adapter; this device uses DC only.

This product is not ignition protected. Do not install in an engine compartment or other areas where explosive vapours may be present.

WARNING

A steady blue indicator light (illuminating the Acuva logo) on the device and smart faucet (if installed) while water is flowing is the only indication that the water is safe to drink. If the blue light is not lit while the faucet is open, please check the “Troubleshooting” section of this manual.

The UV device includes fragile parts, including parts made from glass. The device should not be dropped and must be transported/carried with sufficient care.

Install the device in an accessible and visible location for continuous monitoring of the LED indicators and/or in case of any leakage.

CAUTION

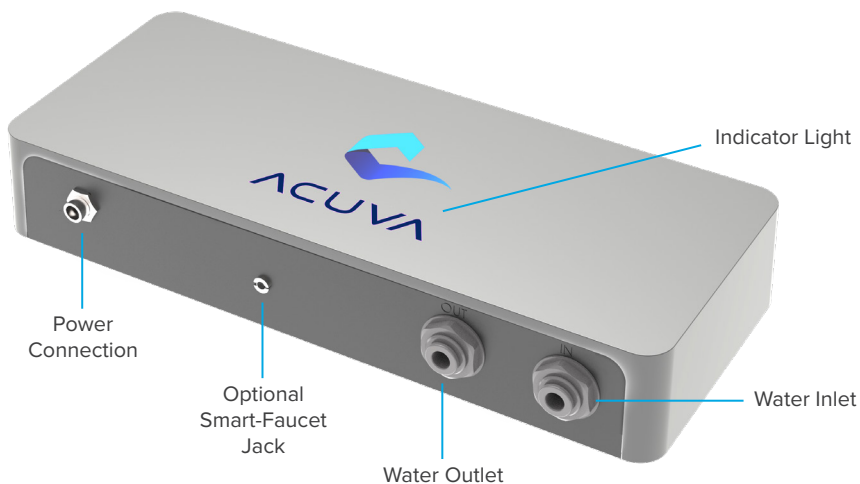
Minor condensation may occur on the device in humid weather and with cold water temperatures (less than the dew point temperature). Condensation drips may be noticed coming from inside the unit.

PRODUCT INFORMATION

Specifications

Certification	NSF/ANSI-55 Class "B" and NSF/ANSI 372
UV Dose Delivery	>16 mJ/cm ²
Certified Flow Rate	1.0 L/min
Water Inlet Fitting	¼" OD Push-to-Connect
Water Outlet Fitting	¼" OD Push-to-Connect
Input Voltage	11-16V DC
Power Consumption (Active)	Approx. 5.0W
Power Consumption (Standby)	Approx. 0.1W
Maximum Water Temperature	40°C
Maximum Working Pressure	100 PSI
Minimum Working Pressure	12 PSI
LED Life-time	1,000 hr (on demand)

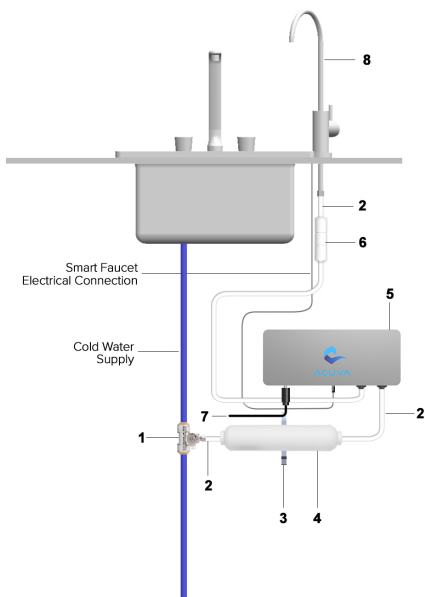
Overview of Your ArrowMAX 1.0 Water Purifier



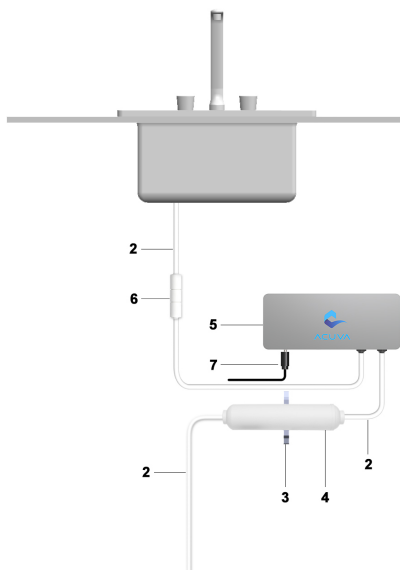
INSTALLATION GUIDE

Acuva systems are designed for ease of installation. The ArrowMAX 1.0 system requires a flow restrictor to maintain a constant flow rate.

Installation with Smart Faucet



Installation without Smart Faucet



Item No.	Description	Quantity	
		WITH SMART FAUCET	WITHOUT SMART FAUCET
1	½" PEX to ¼" OD Tee/Shut-off Valve	1	0
2	¼" OD Tube	1	1
3	Filter Clip	2	2
4	In-line filter	1	1
5	ArrowMAX 1.0*	1	1
6	Flow Restrictor	1	1
7	Power Plug Cable	1	1
8	Smart Faucet	1	0

*Item No. 5 (ArrowMAX 1.0) is certified against NSF 55 and NSF 372 - other installation components are not included as part of the certification.

INSTALLATION GUIDE

ArrowMAX 1.0 Installation

1. Find an under-counter position for the ArrowMAX 1.0 and pre-filter to be mounted, allowing space for all tubing to be connected without needing to bend to the point of pinching or folding.
2. Mount the DIN-rail (shown in the “Mounting the Unit” diagram) that will support the device with two #10 wood screws and the filter clip(s) (item no. 3) for the pre-filter with the two remaining screws.

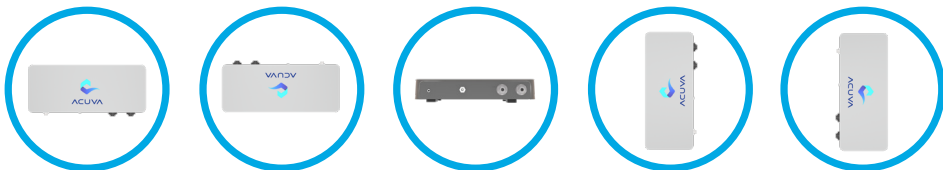
Note: The filter may have one or two mounting clips

3. To install the ½” PEX-1/4” OD Tee & shutoff valve (item no. 1) to the cold-water line, ensure the cold-water line is not under pressure by turning off the water and/or cutting the flow with an upstream valve. Expect some water to drain from the cold-water line while cutting it. Insert the ½” cold-water lines to the ½” female ends of the Tee, pushing the tubes into the Tee as far as possible and pulling gently to assure that the seal is secure.
4. Cut a length of ¼” tubing (item no. 2) that will connect the Tee to the pre-filter (item no. 4). Feed the compression nut and brass ferrule over the tubing, and insert the tubing into the tee. Use a wrench to firmly tighten the compression nut until the tubing stays in place when pulled.
5. Connect the 1/4” tube from the Tee into the inlet side of the pre-filter while making sure that water will flow in the proper direction as indicated on the filter. Push the tube into the filter as far as possible and pull gently to ensure it is properly sealed. Snap the pre-filter into its wall-mounted clip(s).
6. To install the ArrowMAX 1.0 (item no. 5), mount it to the DIN-rail as seen in the “Mounting the Unit” figure.
7. Cut a length of ¼” tubing that will connect the pre-filter to the ArrowMAX 1.0’s inlet and push both ends of the tubing into place, and pull on each gently to ensure it is properly sealed.
8. Cut a length of ¼” tubing that will connect the device and the output faucet or appliance, and install the flow restrictor (item no. 6) at a point along the tube that is convenient – noting the flow direction of the restrictor. Connect the tubing to the desired water faucet or appliance. For each push-fit connection, pull the tubing gently after installation to ensure it is secure and sealed.

For faucet installation instructions, see Appendix A.

Mounting the Unit

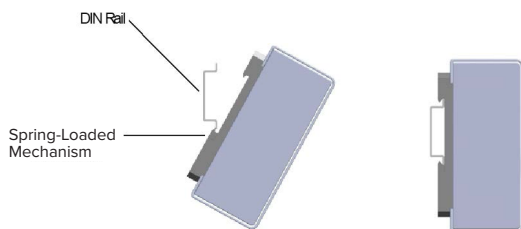
RECOMMENDED ORIENTATION



INSTALLATION GUIDE

Mounting the Unit

1. Engage the spring-loaded mechanism of the mounting clips on the device by hooking the clip onto the bottom edge of the DIN-rail and applying slight pressure upwards.
2. As bottom portion engages, tilt the upper hook towards the DIN-rail.
3. Release the spring mechanism once the unit is mounted on the rail.



Conditioning and Powering the Unit

For DC power source applications, installing a 3A 250V slow blow fuse will provide additional electrical protection

1. Once the device is connected to the cold-water line, Flush the unit at 4 L/min for 5 minutes to ensure water entirely floods the disinfection unit. During this time, ensure all connections are tight and sealed.
2. Connect the DC power source or AC to DC power adapter to the device. Hand-tighten the nut to the threaded jack to secure it.



WARNING

Do not use a wrench or pliers to tighten the plug, power jack or inlet/outlet fittings as this may cause damage to the device. Contact Acuva for support.

3. If there is no water flow on powering up, the Acuva logo should glow green for 30 seconds.
4. Turn on the faucet. The logo will glow blue which indicates the water purification is in progress. If the smart faucet is installed, its base will glow blue as well.
5. Turn off the faucet and the device will automatically go into standby mode.

Indicator Light

The Acuva logo lights up to indicate various modes of use.

No Light: The device is idle or no power is connected.

Blue Light: The device is active and disinfecting water.

Green Light: The device is undergoing its self-cleaning protocol. This 30 second protocol occurs at start up as well as after every 12 hours of idle time and can be safely interrupted to dispense water.

Note: If there is a fault, the indicator light will turn red or yellow. Please consult the Troubleshooting section.

MAINTENANCE

The ArrowMAX 1.0 is designed to give years of trouble-free use. Acuva products use state-of-the-art UV-LEDs, meaning there are no mercury bulbs to replace. However, there are some simple tasks that should be performed to ensure continued operation.

Regular Maintenance

1. Check monthly that none of the connectors are leaking.
2. Replace the in-line filter after winterization or as per the instructions on the filter label.

Note: The small quartz windows inside the unit does not reach high temperatures to encourage mineral build-up (scaling) as with UV lamp systems. As a result, no significant scaling or loss of performance due to scaling over time is expected.

Winterizing

WARNING

If the device is installed in a Recreational Vehicle (RV) ensure that the RV is winterized as per its owner's manual.

Failure to properly winterize the Acuva™ ArrowMAX 1.0 before it is exposed to freezing temperatures can lead to damage and water leakage.

Visit Acuva's FAQ page for support.

TROUBLE SHOOTING

Indicator LED State	Fault Condition	Comments to User
Off (No water flow)	No Fault	-
Off (Water flow)	The unit is not powered	Verify that the unit is connected to power and that the input voltage is within specifications (11-16V).
	The flow direction is reversed	Ensure the inlet and outlet tubes are connected to the respective fittings marked "IN" and "OUT" on the device.
	The flow rate is too low	The flow sensor inside the unit requires a minimal water flow to activate the system (approx. 0.3 L/min). Ensure there is enough water pressure (i.e. 12 PSI) in the line to reach this flow.
Red	UV-LED fault	Unplug and plug in the device's power jack. If this fault persists, contact Acuva for support.
Yellow Blinking	Low input voltage	Verify that the input voltage is above 11 volts.

STANDARD TERMS & CONDITIONS

The sale and use of all Acuva products is governed by the Acuva Technologies Inc. Standard Terms and Conditions of Sale and Use (the “Agreement”), a copy of which is available at www.acuvatech.com.

The Agreement contains important terms that, among other things, affect Acuva’s liability and your legal remedies against Acuva. Please read the Agreement carefully as, by purchasing the Acuva product, you have agreed to be bound by the entire Agreement including the limited warranty, limitations of liability and methods of resolving disputes. In the event of any inconsistency between this manual and the Agreement, the Agreement shall prevail.

WARRANTY

As set out in the Agreement, Acuva products come with the following limited warranty.

Limited Warranty

SCOPE AND PERIOD

Acuva warrants to you that the Product will be free from defects in materials and workmanship under normal use for 1 year from the original date of purchase by you (the “Warranty Period”). The limited warranty in this Agreement (the “Limited Warranty”) is not transferable by you. All subsequent purchasers acquire the Product “as is” without benefit of the Limited Warranty. Where you purchased the Product from Acuva’s Site or other online vendors the date of purchase is the date of the purchase invoice issued to you by Acuva or such online vendors by email. Where you purchased the Product from an authorized reseller at a physical location, the date of purchase is the date of the invoice issued to you at the physical location.

DEFECTS

In the event Acuva determines that the Product is defective, Acuva may in its discretion: (i) replace the defective Product with a new Product; or (ii) refund to you the purchase price you paid for the Product. ‘DEFECTS’ SECTION IS NOT APPLICABLE TO RESIDENTS OF QUEBEC.

REPLACEMENT

Where the Product is replaced during the Warranty Period, except as otherwise prohibited by applicable laws, the warranty for the replaced Product, as applicable, will expire upon the expiration of the original Warranty Period. Any warranty service or support under this Limited Warranty is conditioned upon your return of the Product to Acuva. Where there has been a replacement of the Product, the Product, as provided pursuant to this limited warranty, becomes your property and the Product being replaced becomes Acuva’s property. Where there is a refund, you will return the Product to Acuva and such Product becomes Acuva’s property. Acuva may condition a refund or replacement on you returning the product or require you to provide a credit card number, which will be charged only if you fail to return the Product. ‘REPLACEMENT’ SECTION IS NOT APPLICABLE TO RESIDENTS OF QUEBEC.

WARRANTY

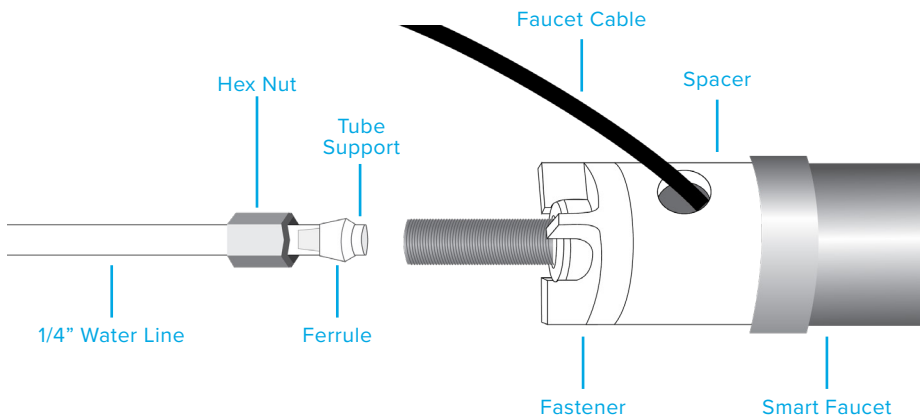
EXCLUSIONS

The limited warranty does not apply:

1. To normal wear and tear;
2. If the Product was not purchased from Acuva or its authorized retailers;
3. To damage caused by misuse, corrosion, moisture or liquids, proximity or exposure to heat or external environment, accident, abuse, misuse, neglect, improper installation or misapplication;
4. To physical damage to the Product;
5. To any software, whether or not supplied by Acuva.

APPENDIX A: FAUCET INSTALLATION INSTRUCTIONS

1. Drill a 3/4" hole into the counter-top where the Smart Faucet will be inserted.
2. Thread the faucet cable into the 3/4" hole and insert the faucet stem into the hole.
3. Thread the faucet power cord through the plastic spacer under the counter to ensure that the cord is not pinched against the counter when the faucet is fastened into place, making sure that the spacer's O-ring seal is facing up to seal against the counter.
4. Add the plastic threaded fastener to the faucet stem and tighten the fastener against the spacer to secure the faucet into place. Make sure that the faucet is positioned properly as required before tightening the fastener.
5. To connect the 1/4" water line to the faucet stem, slip the hex nut onto the tube, followed by the plastic ferrule and plastic tube support. Press the tube end and ferrule to the bottom of the faucet stem and tighten the hex nut by hand, then tighten the nut one quarter turn with a wrench.



RÉSUMÉ

Ce document est le manuel produit de l'ArrowMAX 1.0 et comprend des renseignements sur la sécurité, les caractéristiques techniques, l'installation et l'entretien du produit.

Table des matières

Présentation générale du produit	13
Consignes de sécurité et avertissements	14
Avertissements et précautions de sécurité	14
Renseignements sur le produit	15
Caractéristiques techniques	15
Présentation générale du purificateur d'eau ArrowMAX 1.0	15
Guide d'installation	16
Instructions d'installation	17
Montage de l'appareil	18
Conditionnement et alimentation de l'appareil	18
Voyant lumineux	18
Entretien	19
Entretien régulier	19
Hivérization	19
Diagnostic des anomalies	19
Conditions générales standard	20
Garantie	20
Annexe A : Instructions d'installation des robinets	21

PRÉSENTATION GÉNÉRALE DU PRODUIT

Félicitations pour votre achat du système de purification d'eau par lampes UV ArrowMAX 1.0. C'est notre système le plus compact et le plus économique idéal pour les applications à robinet unique, les machines à glaçons et les mises à niveau de fontaine à boire. Il se glisse facilement sous l'évier de votre maison, chalet, VR ou bateau, et fournit une eau potable d'une manière sécuritaire, pratique, nécessitant peu d'entretien et respectueuse de l'environnement.

Les systèmes de désinfection de l'eau d'Acuva font passer la purification de l'eau au niveau supérieur d'efficacité et de commodité en utilisant deux technologies bien établies et éprouvées : la désinfection par UVC et UVC-LED.

Utilisant la technologie brevetée IntenseBeamMC d'Acuva, ArrowMAX 1.0 inactive les micro-organismes nuisibles*

avec la dose d'UV recommandée par la norme NSF (National Sanitation Foundation).

Le système de purification d'eau ArrowMAX 1.0 est alimenté par 12 V CC, soit directement, soit à l'aide d'un adaptateur d'alimentation secteur depuis une source 110 à 240 V CA. L'ArrowMAX 1.0 fonctionne sur demande, ce qui signifie que son capteur de débit interne active les lampes UV seulement lorsque l'eau circule dans le système, ce qui améliore l'efficacité énergétique et prolonge la durée de vie du système.

Notre mission est d'offrir un accès universel à l'eau potable et nous sommes fiers que vous ayez choisi notre solution. Profitez de la tranquillité d'esprit que votre ArrowMAX 1.0 vous offrira et n'hésitez pas à nous contacter si vous avez des questions.

L'ArrowMAX 1.0 est certifié par l'IAPMO R&T à selon la norme NSF/ANSI 55 classe « B » pour le traitement bactérien supplémentaire de l'eau potable publique désinfectée ou de toute autre eau potable qui a été testée et jugée acceptable pour la consommation humaine par l'État, la province ou l'organisme de santé local ayant compétence. Le système est uniquement conçu pour réduire les micro-organismes nuisibles non pathogènes qui se produisent normalement. Le système de classe B n'est pas destiné au traitement d'une eau contaminée. Il est en outre certifié par l'IAPMO R&T selon la norme NSF/ANSI 372.



EPA Est. No: 98339-CAN-1

Certification IAPMO numéro :

W-10944 (Système UV de traitement de l'eau)

W-10946 (Filtration de l'eau sans plomb)

* Le dispositif fournit plus de 99,999 % de protection contre l'*E. coli* à 3.0 L/min validé par SGS-CSTC Standards Technical Services (Shanghai) Co. Ltd.

CONSIGNES DE SÉCURITÉ ET AVERTISSEMENTS

Cette section contient des renseignements importants concernant l'installation et le fonctionnement sécuritaires de l'ArrowMAX 1.0 (l'« appareil »). **VEUILLEZ LIRE ATTENTIVEMENT.**

L'installation ou l'utilisation de l'appareil d'une manière contraire au présent manuel peut entraîner des dommages matériels ou des blessures corporelles.

Acuva recommande que l'appareil soit installé par un technicien qualifié qui respecte les réglementations nationales et locales en vigueur.

L'appareil ainsi que son installation doivent respecter les réglementations nationales, régionales et locales en vigueur.

Mises en garde et précautions de sécurité

DANGER

N'entreposez pas l'appareil dans des conditions pouvant l'exposer au gel.

Ne laissez pas l'eau geler dans l'appareil.

N'utilisez pas l'appareil s'il est endommagé ou s'il est tombé par terre.

N'immergez pas l'appareil dans l'eau.

Ne branchez pas l'appareil à une prise de courant secteur sans un adaptateur CA à CC. Cet appareil utilise uniquement une alimentation CC.

Ce produit n'est pas protégé contre l'inflammation. N'installez pas l'appareil dans un compartiment moteur ou dans un endroit quelconque où des vapeurs explosives pourraient être présentes.

AVERTISSEMENT

Un voyant lumineux bleu fixe (éclairant le logo Acuva) sur l'appareil et le robinet intelligent (s'il est installé) pendant que l'eau coule est la seule indication que l'eau est potable. Si le voyant lumineux bleu ne s'allume pas lorsque le robinet est ouvert, veuillez consulter la section « Diagnostic des anomalies » de ce manuel.

Le dispositif UV comprend des pièces fragiles, y compris des pièces en verre. L'appareil ne doit pas tomber par terre et il doit être transporté/déplacé avec soin.

Installez l'appareil dans un endroit accessible et visible pour pouvoir surveiller continuellement les voyants DEL et/ou l'existence de fuites.

ATTENTION

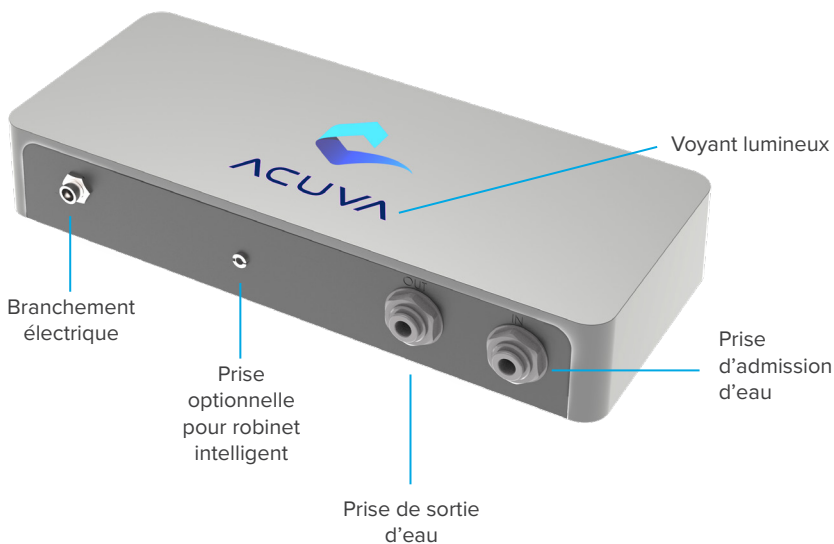
Une légère condensation peut se produire sur l'appareil par temps humide et avec des températures d'eau froide (inférieures à la température du point de rosée). Des gouttes de condensation peuvent être observées à l'intérieur de l'appareil.

RENSEIGNEMENTS SUR LE PRODUIT

Caractéristiques techniques

Certification	NSF/ANSI-55 classe « B » et NSF/ANSI 372
Dose UV	>16 mJ/cm ²
Débit d'air certifié	1.0 L/min
Raccord d'arrivée d'eau	Connexion rapide de ¼ po de diam. ext.
Raccord de sortie d'eau	Connexion rapide de ¼ po de diam. ext.
Tension d'entrée	11 à 16 V CC
Consommation d'énergie (appareil actif)	Environ 5,0 W
Consommation d'énergie (appareil en attente)	Environ 0,1 W
Température maximale de l'eau	40°C
Pression de travail maximale	100 PSI
Pression de travail minimale	12 PSI
Durée de vie des DEL	1 000 heures (sur demande)

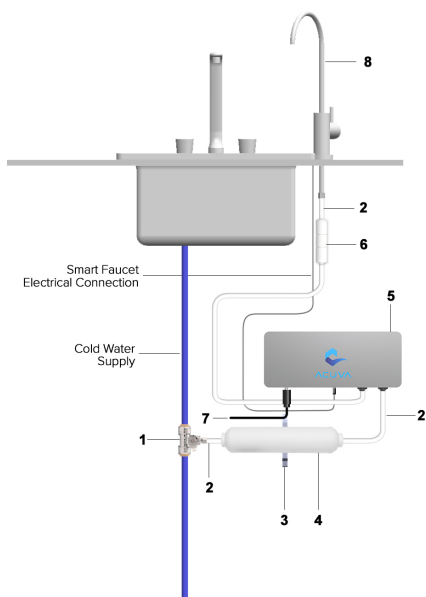
Présentation générale de votre purificateur d'eau ArrowMAX 1.0



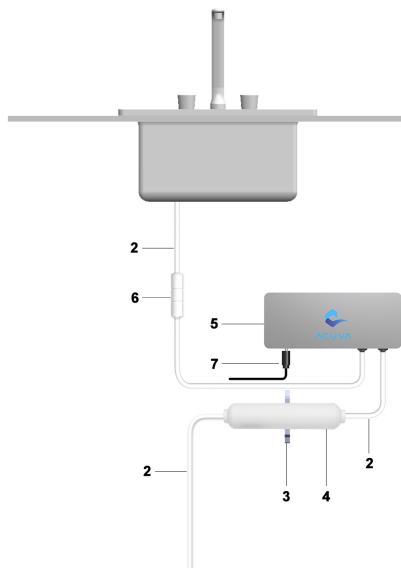
GUIDE D'INSTALLATION

Les systèmes Acuva sont conçus pour être faciles à installer. Le système ArrowMAX 1.0 nécessite un régulateur de débit pour maintenir un débit constant.

Installation avec Robinet intelligent



Installation sans Robinet intelligent



N° informatique	Description	Quantité	
		AVEC ROBINET INTELLIGENT	SANS ROBINET INTELLIGENT
1	Té/robinet d'arrêt en PER de ½ à ¼ po de diam. ext.	1	0
2	Tube de ¼ po de diam. ext.	1	1
3	Pince de filtre	2	2
4	Filtre en ligne	1	1
5	ArrowMAX 1.0*	1	1
6	Limiteur de débit	1	1
7	Câble d'alimentation secteur	1	1
8	Robinet intelligent	1	0

*L'élément 5 (ArrowMAX 1.0) est certifié NSF 372 et d'autres composants d'installation ne sont pas inclus dans la certification.

GUIDE D'INSTALLATION

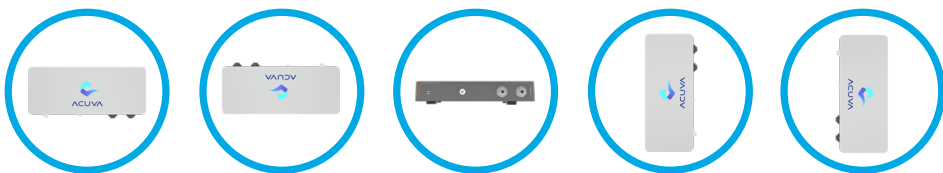
Installation de l'ArrowMAX 1.0

1. Trouvez une position sous le comptoir pour installer l'ArrowMAX 1.0 et le préfiltre, laissant de l'espace pour brancher toutes les tubulures sans avoir à vous courber.
2. Montez le rail DIN (illustré sur le schéma « Montage de l'appareil ») qui soutiendra l'appareil avec deux vis à bois n° 10 et le(s) attache(s) de filtre (élément 3) pour le préfiltre avec les deux vis restantes.
Remarque : Le filtre peut comporter une ou deux attache(s) de montage
3. Pour installer le té/robinet d'arrêt en PER de ½ à ¼ po de diam. ext. (élément 1) à la conduite d'eau froide, assurez-vous que la conduite d'eau froide n'est pas sous pression en coupant l'alimentation en eau et/ou en coupant le débit à l'aide d'une vanne en amont. Attendez-vous à ce que de l'eau s'écoule de la conduite d'eau froide lorsque vous la coupez. Insérez les conduites d'eau froide de ½ po dans les extrémités femelles de ½ po du té, en poussant les tubes dans le té aussi loin que possible, puis en tirant dessus doucement pour vous assurer que le joint est bien fixé.
4. Coupez une longueur de tube de ¼ po (élément 2) qui connectera le té au préfiltre (élément 4). Insérez l'écrou de compression et la virole en laiton sur la tubulure, puis insérez le tube dans le té. Utilisez une clé pour serrer fermement l'écrou de compression jusqu'à ce que le tube reste en place lorsqu'il est tiré.
5. Branchez la tubulure de 1/4 po du té au côté admission du préfiltre tout en vous assurant que l'eau s'écoule dans le bon sens, comme indiqué sur le filtre. Poussez le tube dans le filtre le plus loin possible, puis tirez-dessus doucement pour vous assurer qu'il est bien scellé. Emboîtez le préfiltre dans son ou ses attaches murales.
6. Pour installer l'ArrowMAX 1.0 (élément 5), fixez-le sur le rail DIN, comme illustré sur le schéma « Montage de l'appareil ».
7. Coupez une longueur de tube de 1/4 po qui connectera le préfiltre à l'admission de l'ArrowMAX 1.0, puis poussez les deux extrémités du tube en place et tirez-les doucement pour vous assurer qu'elles sont bien scellées.
8. Coupez une longueur de tube de 1/4 po pour raccorder l'appareil et le robinet ou l'appareil de sortie, puis installez le régulateur de débit (élément 6) à un point le long de la tubulure qui est pratique, en notant le sens du débit du limiteur de débit. Raccordez la tubulure au robinet ou à l'appareil désiré. Pour chaque raccord à ajustement légèrement dur, tirez doucement sur la tubulure après l'installation pour vous assurer qu'elle est bien fixée et scellée.

Pour les instructions d'installation des robinets, reportez-vous à l'Annexe A.

Montage de l'appareil

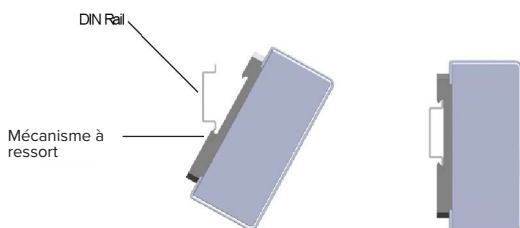
ORIENTATION RECOMMANDÉE



GUIDE D'INSTALLATION

Montage de l'appareil

1. Engagez le mécanisme à ressort des attaches de fixation de l'appareil en accrochant chaque attache au bord inférieur du rail DIN et en appliquant une légère pression vers le haut.
2. Lorsque la partie inférieure s'engage, inclinez le crochet supérieur vers le rail DIN.
3. Une fois que l'appareil est monté sur le rail, relâchez le mécanisme à ressort.



Conditionnement et alimentation de l'appareil

Pour les applications de source d'alimentation CC, l'installation d'un fusible à fusion lente de 3 A et 250 V offrira une protection électrique supplémentaire

1. Une fois l'appareil branché à la conduite d'eau froide, laissez l'eau circuler dans le système à 4L par minute pendant 5 minute afin que l'eau submerge entièrement l'appareil .
2. Raccordez la source d'alimentation CC ou l'adaptateur d'alimentation CA à l'appareil. Serrez l'écrou à la main à la prise filetée, afin de le fixer.



AVERTISSEMENT

N'utilisez pas de clé ou de pince pour serrer la fiche ou la prise d'alimentation, car cela pourrait endommager l'appareil. Contactez Acuva si vous avez besoin d'assistance.

3. En l'absence d'écoulement d'eau à la mise sous tension, le logo Acuva doit s'allumer en vert pendant 30 secondes.
4. Ouvrez le robinet. Le logo s'illuminera en bleu pour indiquer que la purification de l'eau est en cours. Si le robinet intelligent est installé, sa base s'illuminera également en bleu.
5. Fermez le robinet et l'appareil passera automatiquement en mode veille.

Voyant lumineux

Le logo Acuva s'allume pour indiquer les différents modes d'utilisation.

Tous les voyants éteints : L'appareil est inactif ou aucune alimentation n'est connectée.

Voyant bleu allumé : L'appareil est actif et stérilise l'eau.

Voyant vert allumé : L'appareil fait l'objet d'un protocole d'autonettoyage. Ce protocole de 30 secondes se produit au démarrage, ainsi qu'après toutes les 12 heures de veille et peut être interrompu en toute sécurité pour distribuer de l'eau.

Remarque : En cas d'anomalie, le voyant lumineux s'allume en rouge ou en jaune. Veuillez consulter la section « Diagnostic des anomalies »

ENTRETIEN

L'ArrowMAX 1.0 est conçu pour offrir de nombreuses années d'utilisation sans tracas. Les produits Acuva utilisent des lampes UV à la fine pointe de la technologie, ce qui signifie qu'il n'y a pas d'ampoules au mercure à remplacer. Cependant, certaines tâches simples doivent être effectuées pour assurer un fonctionnement continu.

Entretien de routine

1. Vérifiez chaque mois qu'aucun des connecteurs ne présente de fuite.
2. Remplacez le filtre en ligne après l'hivérisation ou selon les instructions figurant sur l'étiquette du filtre.

Remarque : Les petites fenêtres à quartz à l'intérieur de l'appareil n'atteignent pas des températures élevées permettant l'accumulation de minéraux (entartrage) comme avec les systèmes avec lampes UV. En conséquence, aucun entartrage important ou perte de performances due à l'entartrage ne devrait se produire au fil du temps.

Hivérisation

AVERTISSEMENT

Si l'appareil est installé dans un camping-car/ RV, assurez-vous que l'hivérisation du camping-car est effectuée conformément à son manuel d'utilisation.

L'absence d'hivérisation de l'Acuva MC ArrowMAX 1.0 avant qu'il ne soit exposé à des températures glaciales peut entraîner des dommages et des fuites d'eau.

Visitez la page support du site Acuva si vous rencontrez des problèmes.

DIAGNOSTIC DES ANOMALIES

État du voyant lumineux	Condition d'anomalie	Commentaires à l'attention de l'utilisateur
Off (No water flow)	Pas d'anomalie	-
Éteint (débit d'eau)	L'appareil n'est pas alimenté	Vérifiez que l'appareil est branché à une alimentation électrique et que la tension d'entrée est conforme aux spécifications (11 à 16 V).
	Le sens du flux est inversé	Assurez-vous que les tubes d'entrée et de sortie sont raccordés aux raccords respectifs marqués « IN » et « OUT » sur l'appareil.
	Le débit est trop faible	Le capteur de débit à l'intérieur de l'appareil nécessite un débit d'eau minimal pour activer le système (environ 0,3 L/min). Assurez-vous que la pression d'eau dans la conduite est suffisante pour atteindre ce débit. (12 PSI)
Rouge	Anomalie des lampes UV	Débranchez, puis rebranchez la fiche d'alimentation de l'appareil. Si l'anomalie persiste, communiquez avec Acuva pour obtenir de l'aide.
Jaune clignotant	Tension d'entrée basse	Vérifiez que la tension d'entrée est supérieure à 11 volts.

CONDITIONS GÉNÉRALES STANDARD

La vente et l'utilisation de tous les produits Acuva sont régies par les Conditions générales de vente et d'utilisation standard d'Acuva Technologies Inc. (le « Contrat »), dont une copie est disponible sur le site www.acuvatech.com.

L'Accord contient des conditions importantes qui, entre autres, affectent la responsabilité d'Acuva et vos recours juridiques contre Acuva. Veuillez lire attentivement l'Accord, car en achetant le produit Acuva, vous avez accepté d'être lié par l'intégralité de l'Accord, y compris la garantie limitée, les limitations de responsabilité et les méthodes de résolution des litiges. En cas d'incompatibilité entre le présent manuel et l'Accord, l'Accord prévaut.

GARANTIE

Comme indiqué dans l'Accord, les produits Acuva bénéficient de la garantie limitée suivante.

Garantie limitée

PORTÉE ET DURÉE

Acuva vous garantit que le produit sera exempt de défauts de matériaux et de fabrication dans des conditions normales d'utilisation pendant une période d'un an à compter de la date d'achat originale par vous (la « période de garantie »). La garantie limitée dans le présent Accord (la « Garantie limitée ») ne peut être transférée par vous. Tous les acheteurs subséquents acquièrent le produit « tel quel », sans bénéficier de la garantie limitée.

Lorsque vous avez acheté le produit sur le site d'Acuva ou d'autres sites de vente en ligne, la date d'achat correspond à la date de la facture d'achat émise par Acuva ou par courriel à ces sites de vente en ligne. Lorsque vous avez acheté le produit auprès d'un revendeur agréé dans un lieu physique, la date d'achat correspond à la date de la facture qui vous a été émise au lieu physique.

DÉFAUTS

Si Acuva détermine que le produit est défectueux, Acuva peut, à sa discrétion : (i) remplacer le produit défectueux par un nouveau produit, ou (ii) vous rembourser le prix d'achat que vous avez payé pour le produit. LA SECTION « DÉFAUTS » NE S'APPLIQUE PAS AUX RÉSIDENTS DU QUÉBEC.

REMPACEMENT

Lorsque le produit est remplacé pendant la période de garantie, sauf disposition contraire des lois applicables, la garantie du produit remplacé, le cas échéant, expirera à l'expiration de la période de garantie initiale. Tout service et toute assistance sous garantie en vertu de la présente garantie limitée est conditionnel à votre retour du produit à Acuva. En cas de remplacement du produit dans le cadre de cette garantie limitée, le produit de remplacement devient votre propriété et le produit remplacé devient la propriété d'Acuva.

En cas de remboursement, vous devez retourner le produit à Acuva et ce produit deviendra alors la propriété d'Acuva. Acuva peut offrir un remboursement ou un remplacement si vous retournez le produit ou demandez à ce que vous fournissiez un numéro de carte de crédit, qui sera facturé uniquement si vous ne retournez pas le produit. LA SECTION « REMPLACEMENT » NE S'APPLIQUE PAS AUX RÉSIDENTS DU QUÉBEC.

GARANTIE

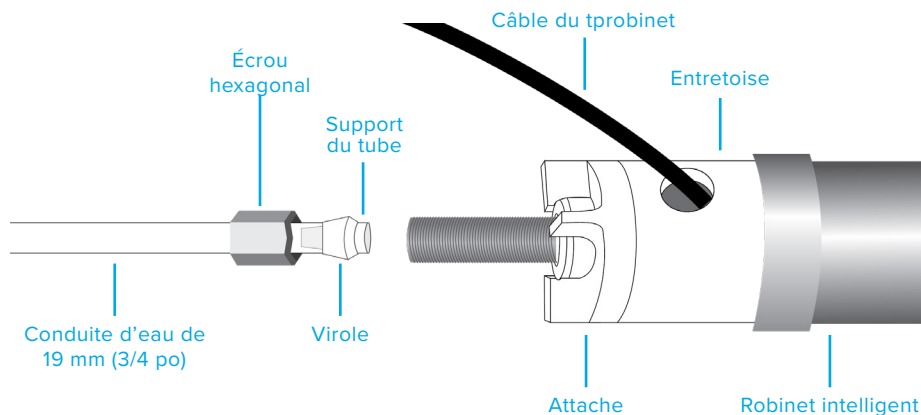
EXCLUSIONS

La garantie limitée ne s'applique pas :

1. À l'usure normale.
2. Si le produit n'a pas été acheté auprès d'Acuva ou d'un de ses revendeurs agréés.
3. Aux dommages causés par un mauvais usage, la corrosion, l'humidité ou des liquides, la proximité ou l'exposition à la chaleur ou à l'environnement externe, un accident, un abus, une mauvaise utilisation, une négligence, une installation inadéquate ou une mauvaise application.
4. Aux dommages physiques causés au produit.
5. À tout logiciel, qu'il soit fourni ou non par Acuva.

ANNEXE A : INSTRUCTIONS D'INSTALLATION DES ROBINETS

1. Percer un trou de 19 mm (3/4 po) dans le comptoir où le robinet intelligent sera inséré.
2. Enfilez le câble du robinet dans le trou de 19 mm (3/4 po), insérez la tige du robinet dans le trou.
3. Enfilez le cordon d'alimentation du robinet dans l'entretoise en plastique sous le comptoir, afin de vous assurer que le cordon ne sera pas pincé contre le comptoir lorsque le robinet sera fixé en place, en vous assurant que le joint torique de l'entretoise est orienté vers le haut pour le sceller contre le comptoir.
4. Ajoutez l'attache filetée en plastique à la tige du robinet, puis serrez l'attache contre l'entretoise pour fixer le robinet en place.
5. Avant de serrer la fixation, assurez-vous que le robinet est correctement positionné selon les besoins.
6. Pour raccorder la conduite d'eau de 19 mm (3/4 po) à la tige du robinet, faites glisser l'écrou hexagonal sur le tube, suivi de la virole en plastique et du support du tube en plastique. Appuyez sur l'extrémité du tube et la virole vers le bas de la tige du robinet, puis serrez l'écrou hexagonal à la main, puis d'un quart de tour avec une clé.



RESUMEN

Este documento es el manual del producto para ArrowMAX 1.0 e incluye información sobre seguridad, especificaciones del producto, instalación y mantenimiento.

Tabla de Contenidos

PRODUCTO	23
INFORMACIÓN DE SEGURIDAD Y ADVERTENCIAS	24
Advertencias y Precauciones de Seguridad	24
INFORMACIÓN DEL PRODUCTO	25
Especificaciones	25
Descripción General de su Purificador de Agua ArrowMAX 1.0	25
GUÍA DE INSTALACIÓN	26
Instalación del Dispositivo UV-LED	27
Montaje de la Unidad	28
Acondicionamiento y alimentación de la unidad	28
Luz Indicadora UV	28
MANTENIMIENTO	29
Mantenimiento Regular	29
Preparación para el Invierno	29
SOLUCIÓN DE PROBLEMAS	29
TÉRMINOS Y CONDICIONES ESTÁNDAR	30
GARANTÍA	30
APÉNDICE A: INSTRUCCIONES DE INSTALACIÓN DEL GRIFO	31

PRODUCTO

Felicitaciones por la compra de su sistema de purificación de agua ArrowMAX 1.0 UV-LED. Este es nuestro sistema más compacto y económico, ideal para aplicaciones de grifería individual, máquinas de hielo y actualizaciones de fuentes de agua. Se ajusta fácilmente debajo del fregadero en su hogar, cabaña, casa rodante y bote, y proporciona agua potable segura, conveniente, de bajo mantenimiento y respetuosa con el medio ambiente

El sistema de Acuva lleva la purificación del agua al siguiente nivel de eficiencia y conveniencia al utilizar dos tecnologías bien establecidas y probadas: UV y LED. La cámara Acuva UV-LED expone los microorganismos dañinos, como las bacterias. Nuestro diseño patentado permite que los rayos UV se concentren direccionalmente, maximizando la efectividad.

El sistema de purificación de agua ArrowMAX 1.0 UV-LED es compatible con 12V DC o 110V[~] / 240V[~] AC (usando un adaptador de corriente) y estará activo solo cuando el sistema se esté usando para la purificación de agua. El sensor de flujo del Eco-NX activará los LED UV sólo cuando el agua fluya a través del sistema, mejorando la eficiencia energética y extendiendo la vida útil del sistema.

Nuestra misión es proporcionar acceso universal al agua potable y estamos orgullosos de que haya elegido nuestra solución. Disfrute de la tranquilidad que su nuevo purificador le entregará y contáctenos si tiene alguna pregunta.



Este sistema o componente de Clase B cumple con la norma NSF / ANSI 55 para el tratamiento bacteriano suplementario de agua potable pública desinfectada u otra agua potable que haya sido probada y considerada aceptable para el consumo humano por la agencia de salud estatal o local que tenga jurisdicción. El sistema solo está diseñado para reducir los microorganismos problemáticos no patógenos que ocurren normalmente. Los sistemas de clase B no están diseñados para el tratamiento de agua contaminada.

EPA Est. No: 98339-CAN-1

Número de certificación IAPMO:

W-10944 (Sistema de tratamiento de agua microbiológico ultravioleta)

W-10946 (producto de filtración de agua sin plomo)

* El dispositivo entrega > 99,999% de *E. coli* a 3.0 L / min validado por SGS-CSTC Standards Technical Services (Shanghai) Co., Ltd.

INFORMACIÓN DE SEGURIDAD Y ADVERTENCIAS

Esta sección contiene información importante sobre la instalación y operación segura de los sistemas de purificación de agua UV-LED de Acuva Technologies (el “dispositivo”). Por favor lea detenidamente. La instalación u operación del dispositivo de una manera diferente a la que este manual muestra, puede provocar daños a la propiedad o lesiones personales. Acuva recomienda que el dispositivo sea instalado por un técnico calificado y debe cumplir con las regulaciones estatales y locales aplicables. El sistema y la instalación deben cumplir con las regulaciones estatales y locales aplicables.

Advertencias y Precauciones de Seguridad

PELIGRO

No almacene el dispositivo en condiciones de congelación.

No permita que el agua se congele en el dispositivo.

No use el dispositivo si está dañado o se ha caído.

No sumerja el dispositivo bajo el agua.

No se conecte a la alimentación de AC sin un convertidor de alimentación de AC a DC; este dispositivo usa solo DC.

Este producto no está protegido contra ignición. No lo instale en el compartimiento del motor u otras áreas donde puedan estar presentes vapores explosivos.

ADVERTENCIA

Una luz azul constante en el dispositivo mientras fluye agua, es la única indicación de que el agua es segura para beber. Si la luz azul no está ENCENDIDA mientras el grifo está abierto, revise la sección de “solución de problemas” de este manual.

El dispositivo UV incluye partes frágiles, incluidas partes hechas de vidrio. El dispositivo no debe dejarse caer y debe transportarse con cuidado.

Instale el dispositivo en un lugar accesible y visible para el monitoreo continuo del estado del sistema utilizando indicadores LED y / o en caso de cualquier fuga.

El aparato no debe utilizarse por personas (incluyendo niños) con capacidades físicas, sensoriales o mentales reducidas, o carezcan de experiencia o conocimiento, a menos que reciban supervisión o capacitación.

Los niños deben supervisarse para que no jueguen con el aparato.

Se debe usar el juego de mangueras nuevas que se proporciona con el equipo. No deben utilizarse juegos de mangueras usados.

El equipo únicamente debe alimentarse con el adaptador proporcionado con el producto.

PRECAUCIÓN

Se puede producir condensación menor en el dispositivo en climas húmedos y con temperaturas de agua fría (<temperatura del punto de rocío). Se puede notar goteo de condensación desde el interior de la unidad.

INFORMACIÓN DEL PRODUCTO

Especificaciones

Certificación	NSF/ANSI-55 Class "B" and NSF/ANSI 372
Dosis de UV	>16 mJ/cm ²
Tasa de Flujo Certificada	1.0 Litros/min
Conexiones (Agua Entrada)	1/4" (1.905 cm) OD Tube PEX
Conexiones (Agua Salida)	1/4" (1.905 cm) OD Tube PEX
Voltaje	11-16V DC
Consumo de Energía (Activa)	~5.0 Watts
Consumo de Energía (En Espera)	~0.1 Watts
Temperatura Máxima del Agua	40°C
Presión Máxima para Funcionamiento	100 PSI (0.68 MPa)
Presión Mínima para Funcionamiento	12 PSI (0.08 MPa)
Vida útil del LED	1,000 hr (Flujo real)

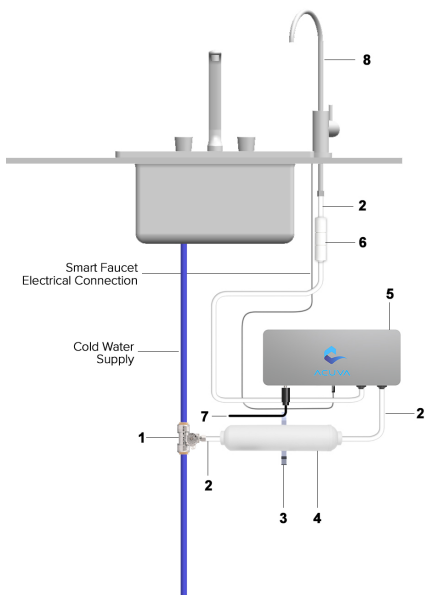
Descripción General de su Purificador de Agua ArrowMAX 1.0



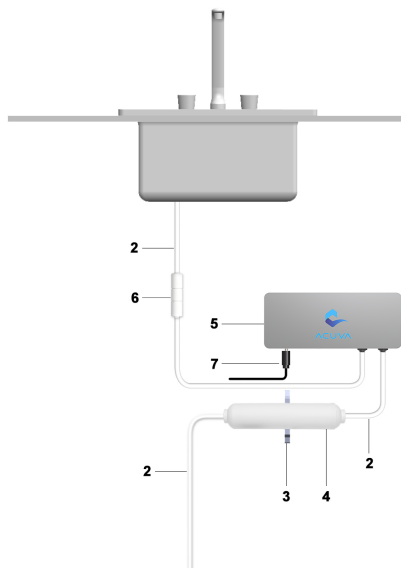
GUÍA DE INSTALACIÓN

Los sistemas Acuva están diseñados para una instalación fácil. Los sistemas ArrowMax 1.0 requieren un limitador de flujo para mantener un caudal constante.

Instalación con Grifo Inteligente



Instalación sin Grifo Inteligente



Artículo No.	Descripción	Cantidad	
		CON GRIFO INTELIGENTE	SIN GRIFO INTELIGENTE
1	½" PEX to ¼" T / Válvula de Cierre	1	0
2	Tubo de ¼ " (0.635 cm) dec Diámetro Externo	1	1
3	Clip de Filtro	2	2
4	Filtro en Línea	1	1
5	ArrowMAX 1.0*	1	1
6	Limitador de Flujo	1	1
7	Cable de Alimentación	1	1
8	Grifo Inteligente	1	0

* El Artículo No.5 (Purificador de agua UV-LED) está certificado para NSF 55 y 372 y otros componentes de instalación no están incluidos como parte de la certificación para ArrowMAX 1.0.

GUÍA DE INSTALACIÓN

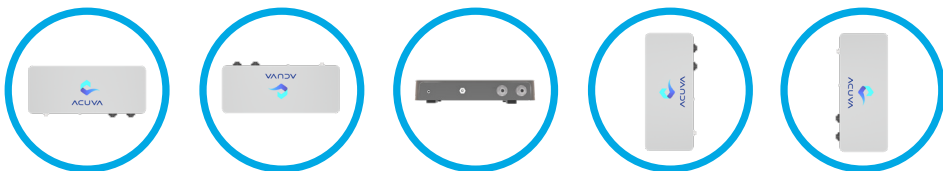
Instalación del Dispositivo UV-LED

1. Encuentre una posición debajo de la tarja o lavabo para montar el ArrowMAX 1.0 y el prefiltro, dejando espacio para que todos los tubos se conecten sin necesidad de doblarse hasta el punto de pellizcarse o doblarse excesivamente.
2. Monte el carril DIN (que se muestra en el diagrama "Montaje de la unidad") que apoyará el dispositivo con dos tornillos para madera n. ° 10 y la (s) abrazadera (s) del filtro (artículo n. ° 3) para el prefiltro con los dos tornillos restantes. Note: El filtro debe tener una o dos abrazaderas
3. Para instalar la T de ½ "PEX-1/4" OD y la válvula de cierre (artículo n. ° 1) en la línea de agua fría, asegúrese de que la línea de agua fría no esté bajo presión cerrando el agua y / o cortando el flujo con una válvula aguas arriba. Espere que se drene algo de agua de la línea de agua fría mientras la corta. Inserte las líneas de agua fría de ½ "en los extremos hembra de ½" de la T, empujando los tubos dentro de la T lo que más pueda y tirando suavemente para asegurarse de que el sello esté seguro.
4. Corte un tramo de tubo de ¼ "(artículo n° 2) que conectará la T al prefiltro (artículo n° 4). Pase la tuerca de compresión y la férula de latón sobre la tubería e inserte la tubería en la T. Use una llave para apretar firmemente la tuerca de compresión hasta que el tubo permanezca en su lugar cuando se tira.
5. Conecte el tubo de 1/4 "de la T en el lado de entrada del prefiltro mientras se asegura de que el agua fluya en la dirección correcta como se indica en el filtro. Empuje el tubo dentro del filtro tanto como sea posible y tire suavemente para asegurarse de que esté sellado correctamente. Encaje el prefiltro en su (s) clip (s) de pared.
6. Para instalar ArrowMAX 1.0 (artículo n° 5), móntelo en el riel DIN como se muestra en la figura "Montaje de la unidad".
7. Corte un tubo de 1/4 "que conectará el prefiltro a la entrada del ArrowMAX 1.0 y empuje ambos extremos del tubo en su lugar, y tire de cada uno con cuidado para asegurarse de que esté sellado correctamente.
8. Corte un tramo de tubería de 1/4 "que conectará el dispositivo y el grifo de salida o electrodoméstico, e instale el limitador de flujo (artículo n. ° 6) en un punto a lo largo del tubo que sea conveniente, teniendo en cuenta la dirección del flujo del restrictor. Conecte la tubería al grifo o aparato de agua deseado. Para cada conexión a presión, tire suavemente de la tubería después de la instalación para asegurarse de que esté segura y sellada.

Para obtener instrucciones de instalación del grifo, consulte el Apéndice A.

Montaje de la Unidad

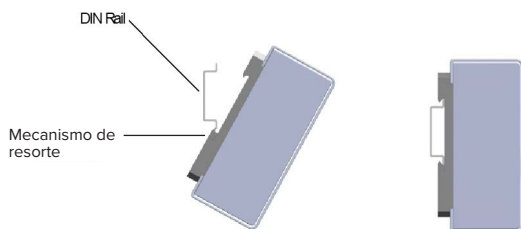
ORIENTACIÓN RECOMENDADA



GUÍA DE INSTALACIÓN

Montaje de la Unidad

1. Acople el mecanismo de resorte enganchando el clip en el borde inferior del Carril DIN y agregando una ligera presión hacia arriba
2. A medida que se acopla la parte inferior, incline el gancho superior hacia el Carril DIN.
3. Suelte el mecanismo de resorte una vez que la unidad esté montada en el Carril



Acondicionamiento y alimentación de la unidad

Para aplicaciones de fuente de alimentación de CD, la instalación de un fusible de acción lenta de 3A 250V proporcionará protección eléctrica adicional

1. Una vez que el dispositivo esté conectado a la línea de agua fría, enjuague la unidad a 4 L / min durante 5 minutos para asegurarse de que el agua inunde completamente la unidad de desinfección. Durante este tiempo, asegúrese de que todas las conexiones estén apretadas y selladas.
2. Conecte la fuente de alimentación de CD o el adaptador de alimentación de CA/CD al dispositivo. Apriete a mano la tuerca al gato roscado para asegurarlo.



ADVERTENCIA

No utilice una llave inglesa o alicates para apretar el enchufe, la toma de corriente o los accesorios de entrada / salida, ya que esto puede dañar el dispositivo. Póngase en contacto con Acuva para obtener asistencia.

3. Si no hay flujo de agua al encender, el logotipo de Acuva debe brillar en verde durante 30 segundos.
4. Abra el grifo. El logotipo se iluminará en azul, lo que indica que la purificación del agua está en curso. Si el grifo inteligente está instalado, su base también se iluminará en azul.
5. Apague el grifo y el dispositivo entrará automáticamente en modo de espera.

Luz Indicadora UV

El logotipo de Acuva se ilumina para indicar varios modos de uso.

Sin Luz: El dispositivo está inactivo o no hay energía conectada.

Luz Azul: El dispositivo está activo y desinfectando agua.

Luz Verde: El dispositivo se encuentra en su protocolo de autolimpieza. Este protocolo de 30 segundos se produce al inicio y después de cada 12 horas de inactividad y se puede interrumpir de forma segura para dispensar agua.

Nota: Si hay una falla, la luz indicadora se volverá roja o amarilla. Consulte la sección Solución de problemas.

MANTENIMIENTO

Los sistemas de purificación de agua Acuva UV-LED están diseñados para brindar años de uso sin problemas. Usando UV-LEDs de última generación, no hay bombillas de mercurio para reemplazar, sin embargo, hay algunas tareas simples que deben realizarse para garantizar un funcionamiento continuo sin problemas.

Mantenimiento Regular

1. Verifique mensualmente que ninguno de los conectores tenga fugas.
2. Reemplace el filtro en línea después de la preparación para el invierno o según las instrucciones en la etiqueta del filtro.

Nota: Las pequeñas ventanas de cuarzo dentro de la unidad no alcanzan altas temperaturas para fomentar la acumulación de minerales (incrustaciones) como ocurre con los sistemas de lámparas UV. Como resultado, no se espera un escalado significativo o pérdida de rendimiento debido al escalado a lo largo del tiempo.

Preparación para el Invierno

ADVERTENCIA

Si el dispositivo está instalado en un vehículo recreativo (RV), asegúrese de que el RV esté preparado para el invierno según el manual del propietario.

No acondicionar adecuadamente el AcuvaTM ArrowMAX 1.0 para el invierno antes de exponerlo a temperaturas bajo cero puede provocar daños y fugas de agua.

Visite la página de preguntas frecuentes de Acuva para más información.

SOLUCIÓN DE PROBLEMAS

Estado del Indicador LED	Condiciones de Falla	Comentarios para el Usuario
Apagado (Sin Flujo de agua)	No hay falla	-
Apagado (Flujo de agua)	La unidad no está encendida	Verifique que la unidad esté conectada a la alimentación y que el voltaje de entrada esté dentro de las especificaciones (11-16 V).
	La dirección del flujo se invierte	Asegúrese de que los tubos de entrada y salida estén conectados a los accesorios respectivos marcados como "IN" y "OUT" en el dispositivo.
	El caudal es demasiado bajo	El sensor de flujo dentro de la unidad requiere un flujo de agua mínimo para activar el sistema (aproximadamente 0.3 Lpm). Asegúrese de que haya suficiente presión (12 PSI) de agua en la línea para alcanzar este flujo.
Rojo	Falla en la UV LED	Desenchufe y enchufe el enchufe de alimentación del dispositivo. Si esta falla persiste, comuníquese con Acuva para obtener asistencia.
Amarillo Intermitente	Voltaje de entrada bajo	Verifique que el voltaje de entrada sea superior a 11 voltios.

TÉRMINOS Y CONDICIONES ESTÁNDAR

La venta y el uso de todos los productos Acuva se rigen por los Términos y condiciones estándar de venta y uso de Acuva Technologies Inc. (el "Acuerdo"), cuya copia está disponible en www.acuvatech.com.

El Acuerdo contiene términos importantes que, entre otras cosas, afectan la responsabilidad de Acuva y sus recursos legales contra Acuva. Lea atentamente el Acuerdo ya que, al comprar el producto Acuva, ha aceptado estar sujeto a todo el Acuerdo, incluida la garantía limitada, las limitaciones de responsabilidad y los métodos para resolver disputas. En caso de cualquier inconsistencia entre este manual y el Acuerdo, prevalecerá el Acuerdo.

GARANTÍA

Como se establece en el Acuerdo, los productos Acuva vienen con la siguiente garantía limitada

Garantía Limitada

ALCANCE Y PERÍODO

Acuva le garantiza que el Producto estará libre de defectos en materiales y mano de obra bajo su uso normal durante 1 años a partir de la fecha original de compra por parte suya (el "Período de Garantía"). Usted no podrá transferir la garantía limitada de este Acuerdo (la "Garantía Limitada"). Todos los compradores posteriores adquieren el Producto "tal cual" sin el beneficio de la Garantía limitada. Cuando compró el Producto en el Sitio de Acuva u otros proveedores en línea, la fecha de compra es la fecha de la factura de compra emitida por Acuva o dichos proveedores en línea por correo electrónico. Cuando compró el Producto a un revendedor autorizado en una ubicación física, la fecha de compra es la fecha de la factura emitida en la ubicación física.

DEFECTOS

En caso de que Acuva determine que el Producto es defectuoso, Acuva puede, a su discreción: (i) reemplazar el Producto defectuoso con un Producto nuevo; o (ii) reembolsarle el precio de compra que pagó por el Producto. LA SECCIÓN 6 (b) NO ES APLICABLE A LOS RESIDENTES DE QUEBEC.

REEMPLAZO

Cuando el Producto se reemplaza durante el Período de garantía, salvo que las leyes aplicables prohíban lo contrario, la garantía para el Producto reemplazado, según corresponda, caducará al vencimiento del Período de garantía original. Cualquier servicio o soporte de garantía bajo esta Garantía limitada está condicionado a la devolución del Producto a Acuva. Cuando haya habido un reemplazo del Producto, el Producto, según lo dispuesto en virtud de esta garantía limitada, se convierte en su propiedad y el Producto que se reemplaza se convierte en propiedad de Acuva. Cuando haya un reembolso, devolverá el Producto a Acuva y dicho Producto pasará a ser propiedad de Acuva. Acuva puede condicionar un reembolso o reemplazo en la devolución del producto o solicitarle que proporcione un número de tarjeta de crédito, que se le cobrará solo si no devuelve el Producto. LA SECCIÓN 6 (c) NO ES APLICABLE A LOS RESIDENTES DE QUEBEC.

GARANTÍA

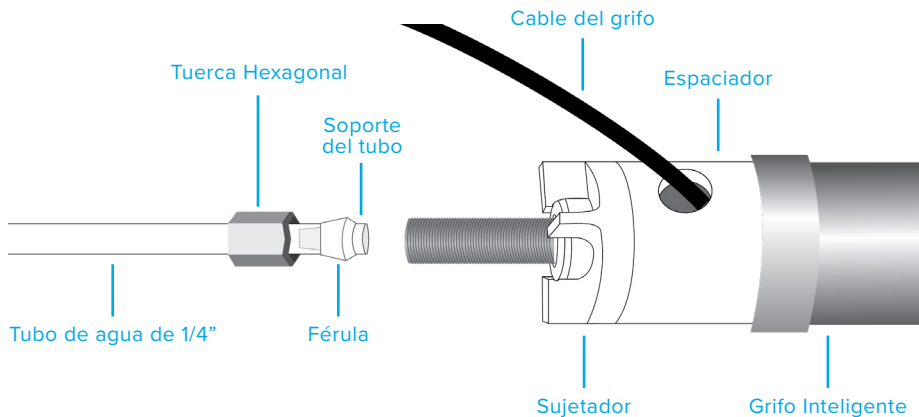
EXCLUSIONES

La garantía limitada no se aplica:

1. al desgaste normal;
2. si el Producto no fue comprado a Acuva o sus distribuidores autorizados;
3. a daños causados por mal uso, corrosión, humedad o líquidos, proximidad o exposición al calor o al ambiente externo, accidente, abuso, mal uso, negligencia, instalación incorrecta o aplicación incorrecta;
4. a daño físico al Producto
5. a cualquier software, suministrado o no por Acuva.

APÉNDICE A: INSTRUCCIONES DE INSTALACIÓN DEL GRIFO

1. Taladre un orificio de 3/4 "en la encimera donde se insertará el Smart Faucet.
2. Enrosque el cable del grifo en el orificio de 3/4 "e inserte el vástago del grifo en el orificio.
3. Pase el cable de alimentación del grifo a través del espaciador de plástico debajo del mostrador para asegurarse de que el cable no quede pellizcado contra el mostrador cuando el grifo esté ajustado en su lugar, asegurándose de que el sello de la junta tórica del espaciador esté hacia arriba para sellar contra el mostrador.
4. Agregue el sujetador roscado de plástico al vástago del grifo y apriete el sujetador contra el espaciador para asegurar el grifo en su lugar. Asegúrese de que el grifo esté colocado correctamente como se requiere antes de apretar el sujetador.
5. Para conectar la línea de agua de 1/4 "al vástago del grifo, deslice la tuerca hexagonal en el tubo, seguida de la férula de plástico y el soporte del tubo de plástico. Presione el extremo del tubo y la férula hacia la parte inferior del vástago del grifo y apriete la tuerca hexagonal con la mano, luego apriete la tuerca un cuarto de vuelta con una llave.





Acuva Technologies Inc.

Unit 1 - 3771 North Fraser Way, Burnaby, BC. Canada V5J 5G5

Telephone: 1-800-980-8810 | Email: info@acuvatech.com

acuvatech.com | acuvastore.com



[#acUVatech](https://www.facebook.com/acuvatech)

[@acuvatech](https://www.instagram.com/acuvatech)